

Test Report

for GPS L1 AVIATION ANTENNA



Model: HXAT000GAAV30C

Chengdu HAIXIN MICROWAVE Technology Co., Ltd

Add: Chengdu 610091, China

Tel: +86-28-87089208

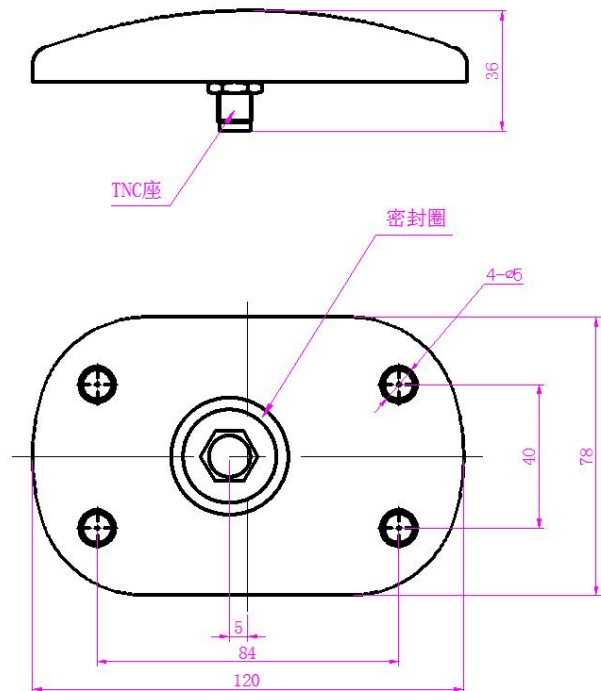
Website: www.hxmicrowave.com

Fax: +86-28-87089208

Email: sale@hxmicrowave.com

Specification

1. Frequency: GPS L1:1575.42MHz±5MHz
2. Pattern:
 - Azimuth: Omnidirectional
 - Elevation: Hemispherical
3. LNA Gain: 25dB±2dB
4. Polarization: Right-hand circular
5. AR: ≤3dB
6. Noise: ≤1.5dB
7. Impedance : 50 Ω
8. VSWR : ≤1.5:1
9. Power requirements: Voltage: 5VDC
Current: ≤20mA
10. Connector: TNC female
11. Operating Temperature : -40℃~+85℃
12. Store Temperature : -55℃~+85℃
13. Weight: ≈ 200 g
14. Size: 120mm×78mm×36mm



Test Instruments

Agilent 83630B
HP8563E
HP8720D

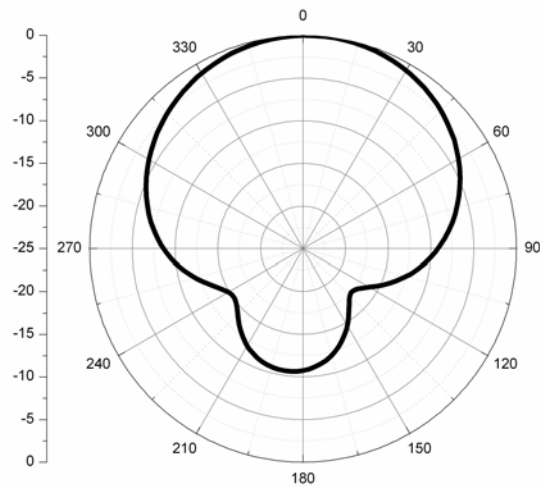
Test Results

1. Gain

Frequency (GHz)	Gain (dBic)
1.575	31.4



2. Pattern



Feq:1575MHz

Chengdu HAXIN MICROWAVE Technology Co., Ltd

Add: Chengdu 610091, China

Tel: +86-28-87089208

Website: www.hxmicrowave.com

Fax: +86-28-87089208

Email: sale@hxmicrowave.com